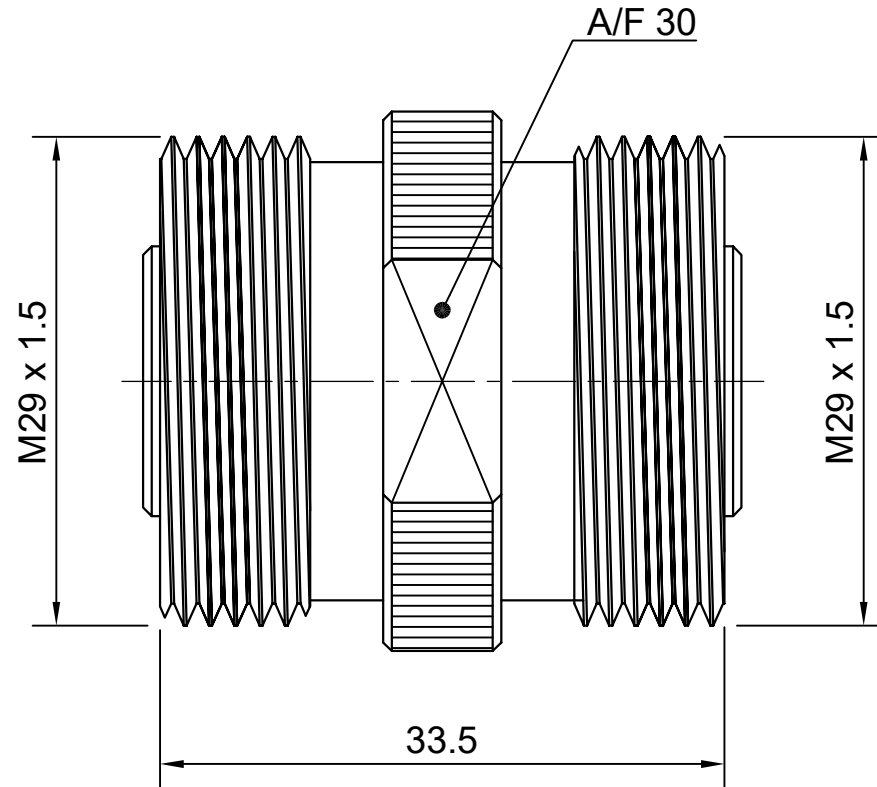



RevNo	Revision note	Date	Signature	Checked



TECHNICAL DATA

Type	Adapter
Orientation	Straight
Impedance (Ohms)	50
Adapter Side 1	7/16 (DIN)
Side 1 Gender	Jack
Adapter Side 2	7/16 (DIN)
Side 2 Gender	Jack
Body Finish	White Bronze
Body Material	Brass
Contact Finish	Silver
Contact Material	Brass
Insulator Material	PTFE
Max. Frequency (GHz)	7.5
Mounting Feature	--
Min. Temp. (Celsius)	-65
Max. Temp. (Celsius)	165
Weight (Grams)	122.5

	SHEET 1 of 1	SCALE NTS
	RF ADAPTER	
DRAWN VINAY 25.10.2018	7/16 (DIN) Female to 7/16 (DIN) Female	
CHECK	STRAIGHT TYPE	
APPR. VINAY 25.10.2018	DWG NO	
ISSUED	VSW-AD-531272-S	
REV R0		

FILE PATH: D:\VINSUR\DRAWINGS -- VINSUR\ADAPTERS\DIN - DIN

FILE NAME: ADAPTER - DIN Female to DIN Female - VSW-AD-531272-S.dwg

SIZE

1 2 3 4 5 6 7 8